

SFP 2.5Gb/s Transceiver 2km (KW3602D)
Hot Pluggable, Duplex LC, +3.3V, 1310nm FP-LD,DDMI



- ✧ RoHS compliant and Lead Free
- ✧ Up to 2km on 9/125µm SMF
- ✧ Single +3.3V Power Supply
- ✧ Monitoring Interface Compliant with SFF-8472
- ✧ Industrial /Extended/ Commercial operating temperature range: -40°C to 85°C/-5°C to 85°C/0°C to 70°C Version available

Features:

- ✧ Up to 2.5Gb/s Data Links
- ✧ Hot-Pluggable
- ✧ 1310nm FP laser transmitter
- ✧ Duplex LC connector

Applications:

- ✧ SONET OC48 / SDH STM-16
- ✧ SONET OC-12 / SDH STM -4
- ✧ SONET OC-3 / SDH STM -1
- ✧ 1X/2X Fiber Channel
- ✧ Other Optical Link

Description:

KW3602D Transceiver is a high performance, cost effective module which have a Duplex LC optics interface. Standard DC coupled CML for high speed signal and LVTTTL control and monitor signals. The receiver section uses a PIN receiver and the transmitter uses 1310 nm FP laser, up to 8dB link budge ensure this module STM-16/OC-48 2km application.

● **Absolute Maximum Ratings**

Parameter	Symbol	Min.	Typical	Max.	Unit
Storage Temperature	T _s	-40		+85	°C
Supply Voltage	V _{CC}	-0.5		4	V
Relative Humidity	RH	0		85	%

● **Recommended Operating Environment:**

Parameter	Symbol	Min.	Typical	Max.	Unit
Case operating Temperature	T _C	Industrial	-40	85	°C
		Extended	-5	85	°C
		Commercial	0	+70	°C
Supply Voltage	V _{CC}	3.135		3.465	V
Supply Current	I _{CC}			300	mA
Inrush Current	I _{surge}			I _{CC} +30	mA
Maximum Power	P _{max}			0.7	W

SFP 2.5Gb/s Transceiver 2km (KW3602D)
Hot Pluggable, Duplex LC, +3.3V, 1310nm FP-LD,DDMI

● **Electrical Characteristics (T_{OP} = T_c, V_{CC} = 3.0 to 3.60 Volts)**

Parameter	Symbol	Min.	Typical	Max.	Unit	Note
Transmitter Section:						
Input differential impedance	R _{in}	90	100	110		
Single ended data input swing	V _{in PP}	200		1200	mVp-p	
Transmit Disable Voltage	V _D	V _{CC} – 1.3		V _{CC}	V	2
Transmit Enable Voltage	V _{EN}	V _{ee}		V _{ee} +0.8	V	
Transmit Disable Assert Time	T _{dessert}			10	us	
Receiver Section:						
Single ended data output swing	V _{out,pp}	300		1000	mv	3
Data output rise time	t _r			260	ps	4
Data output fall time	t _f			260	ps	4
LOS Fault	V _{losfault}	V _{CC} – 0.5		V _{CC_host}	V	5
LOS Normal	V _{los norm}	V _{ee}		V _{ee} +0.5	V	5
Power Supply Rejection	PSR	100			mVpp	6
Total Generated Receiver Jitter (peak to peak)	J _{RXP-P}			0.07	UI	
Total Generated Receiver Jitter (rms)	J _{RXRMS}			0.007	UI	

Note:

1. DC coupled.
2. Or open circuit.
3. Into 100 ohm differential termination.
4. 20 – 80 %
5. LOS is LVTTTL. Logic 0 indicates normal operation; logic 1 indicates no signal detected.
6. All transceiver specifications are compliant with a power supply sinusoidal modulation of 20 Hz to 1.5MHz up to specified value applied through the power supply filtering network shown on page 23 of the Small Form-factor Pluggable (SFP) Transceiver Multi-Source Agreement (MSA), September 14, 2000.

● **Optical Parameters(T_{OP} = T_c, V_{CC} = 3.00 to 3.60 Volts)**

Parameter	Symbol	Min.	Typical	Max.	Unit	Note
Transmitter Section:						
Center Wavelength	λ _c	1270	1310	1360	nm	
Spectral Width(RMS)	σ _{RMS}			4	nm	
Optical Output Power	P _{out}	-10		-3	dBm	1
Extinction Ratio	ER	8.2			dB	
Optical Rise/Fall Time	t _r / t _f			260	ps	2
Relative Intensity Noise	RIN			-120	dB/Hz	
Total Generated Transmitter Jitter (peak to peak)	J _{TXP-P}			0.07	UI	
Total Generated Transmitter Jitter (rms)	J _{TXRMS}			0.007	UI	
Output Eye Mask	Compliant with eye mask Telcordia GR-253-GORE					
Receiver Section:						

SFP 2.5Gb/s Transceiver 2km (KW3602D)
Hot Pluggable, Duplex LC, +3.3V, 1310nm FP-LD,DDMI

Optical Input Wavelength	λ_c	1260		1360	nm	
RX Sensitivity @ OC-48/STM-16	Sen ₁			-18	dBm	3
RX Sensitivity @ 2xFibre channel	Sen ₂			-19	dBm	4
RX Sensitivity @ Gigabit Ethernet	Sen ₃			-19	dBm	4
RX Sensitivity @ OC-12/STM-4	Sen ₄			-19	dBm	5
RX Sensitivity @ OC-4/STM-1	Sen ₅			-19	dBm	5
RX_LOS Assert	LOS _A	-35			dBm	
RX_LOS De-assert	LOS _D			-19	dBm	
RX_LOS Hysteresis	LOS _H	0.5			dB	
General Specifications:						
Data Rate	BR	155		2667	Mb/s	
Bit Error Rate	BER			10 ⁻¹²		
Max. Supported Link Length on 9/125µm SMF @ OC-48/STM-16	L _{MAX1}		2		km	
Max. Supported Link Length on 9/125µm SMF @ 2xFibre channel	L _{MAX2}		5		km	
Max. Supported Link Length on 9/125µm SMF @ Gigabit Ethernet	L _{MAX3}		10		km	
Max. Supported Link Length on 9/125µm SMF @ OC-12/STM-4	L _{MAX4}		10		km	
Max. Supported Link Length on 9/125µm SMF @ OC-4/STM-1	L _{MAX5}		10		km	

Note:

1. Compliant with FDA/CDRH and EN (IEC) 60825 regulations (Class 1 Laser Safety).
2. 20-80%.
3. Measured with PRBS 2³¹-1 at 10⁻¹² BER
4. Measured with PRBS 2⁷-1 at 10⁻¹² BER
5. Measured with PRBS 2²³-1 at 10⁻¹² BER

● Pin Assignment:

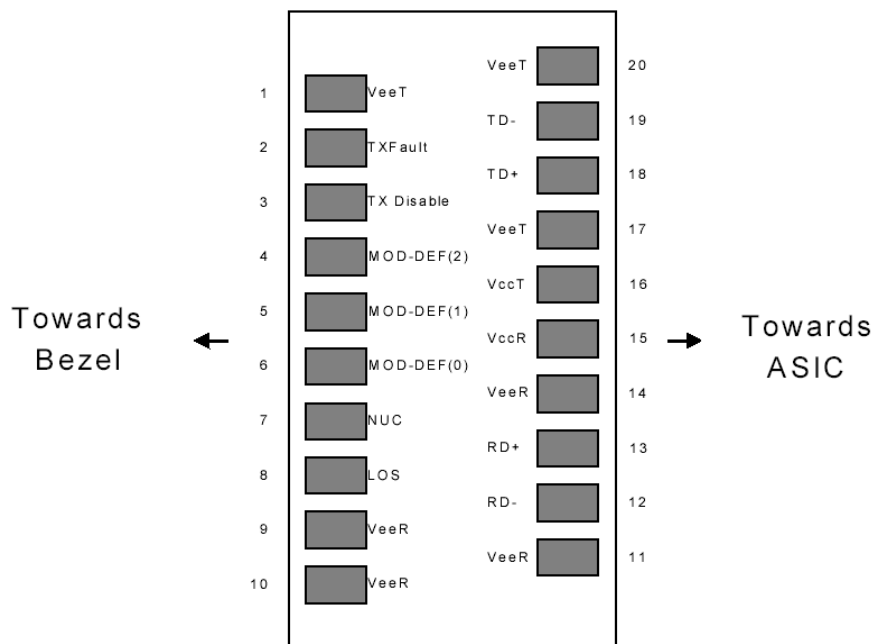


Figure2:Diagram of Host Board Connector Block Pin Numbers and Names

SFP 2.5Gb/s Transceiver 2km (KW3602D)
Hot Pluggable, Duplex LC, +3.3V, 1310nm FP-LD,DDMI

● **Pin Description:**

Pin No	Name	Function	Plug Seq	Notes
1	VeeT	Transmitter Ground	1	1
2	TX Fault	Transmitter Fault Indication	3	
3	TX Disable	Transmitter Disable	3	2
4	MOD-DEF2	Module Definition	2	3
5	MOD-DEF1	Module Definition 1	3	3
6	MOD-DEF0	Module Definition 0	3	3
7	Rate Select	Not Connected	3	4
8	LOS	Loss of Signal	3	5
9	VeeR	Receiver Ground	1	1
10	VeeR	Receiver Ground	1	1
11	VeeR	Receiver Ground		1
12	RD-	Inv. Received Data Out	3	6
13	RD+	Received Data Out	3	6
14	VeeR	Receiver Ground	3	1
15	VccR	Receiver Power	2	1
16	VccT	Transmitter Power	2	
17	VeeT	Transmitter Ground	1	
18	TD+	Transmit Data In	3	6
19	TD-	Inv. Transmit In	3	6
20	VeeT	Transmitter Ground	1	

Notes:

1. Circuit ground is internally isolated from chassis ground.
2. Laser output disabled on TDIS >2.0V or open, enabled on TDIS <0.8V.
3. Should be pulled up with 4.7k - 10 kohms on host board to a voltage between 2.0V and 3.6V. MOD_DEF(0) pulls line low to indicate module is plugged in.
4. Rate select is not used
5. LOS is open collector output. Should be pulled up with 4.7k – 10 kohms on host board to a voltage between 2.0V and 3.6V. Logic 0 indicates normal operation; logic 1 indicates loss of signal.
6. AC Coupled

● **SFP Module EEPROM Information and Management**

The SFP modules implement the 2-wire serial communication protocol as defined in the SFP -8472. The serial ID information of the SFP modules and Digital Diagnostic Monitor parameters can be accessed through the I²C interface at address A0h and A2h.

The memory is mapped in Table 1.

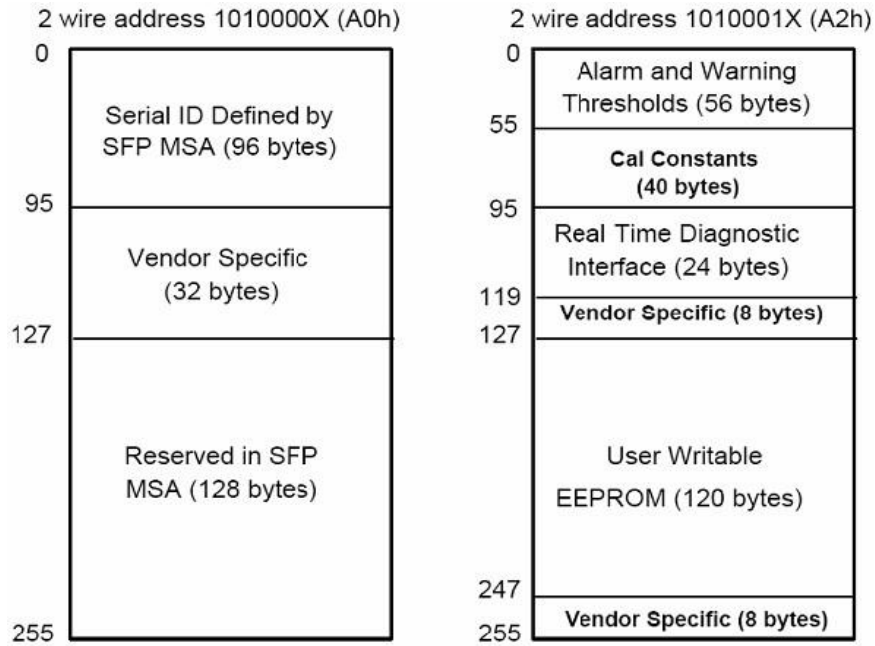
Detailed ID information (A0h) is listed in Table 2.

And the DDM specification at address A2h.

For more details of the memory map and byte definitions, please refer to the SFF-8472, “Digital Diagnostic Monitoring Interface for Optical Transceivers”. The DDM parameters have been internally calibrated.

Table 1. Digital Diagnostic Memory Map (Specific Data Field Descriptions)

SFP 2.5Gb/s Transceiver 2km (KW3602D)
Hot Pluggable, Duplex LC, +3.3V, 1310nm FP-LD,DDMI



● **Serial ID Memory Contents:**

Data Address	Length (Byte)	Name of Length	Description and Contents
Base ID Fields			
0	1	Identifier	Type of Serial transceiver (03h=SFP)
1	1	Reserved	Extended identifier of type serial transceiver (04h)
2	1	Connector	Code of optical connector type (07=LC)
3-10	8	Transceiver	
11	1	Encoding	NRZ(03h)
12	1	BR,Nominal	Nominal baud rate, unit of 100Mbps
13	1	Reserved	(0000h)
14	1	Length(9um,km)	Link length supported for 9/125um fiber, units of km
15	1	Length(9um)	Link length supported for 9/125um fiber, units of 100m
16	1	Length(50um)	Link length supported for 50/125um fiber, units of 10m
17	1	Length(62.5um)	Link length supported for 62.5/125um fiber, units of 10m
18	1	Length(Copper)	Link length supported for copper, units of meters
19	1	Reserved	
20-35	16	Vendor Name	SFP vendor name:
36	1	Reserved	
37-39	3	Vendor OUI	SFP transceiver vendor OUI ID
40-55	16	Vendor PN	Part Number: "KWXXXXXX" (ASCII)
56-59	4	Vendor rev	Revision level for part number
60-61	2	Wavelength	Laser wavelength
62	1	Reserved	
63	1	CCID	Least significant byte of sum of data in address 0-62
Extended ID Fields			
64-65	2	Option	Indicates which optical SFP signals are implemented(001Ah = LOS, TX_FAULT, TX_DISABLE all supported)
66	1	BR, max	Upper bit rate margin, units of %

SFP 2.5Gb/s Transceiver 2km (KW3602D)
Hot Pluggable, Duplex LC, +3.3V, 1310nm FP-LD,DDMI

67	1	BR, min	Lower bit rate margin, units of %
68-83	16	Vendor SN	Serial number (ASCII)
84-91	8	Date code	Manufacturing date code
92	1	Diagnostic Type	Diagnostics
93	1	Enhanced Options	Diagnostics
94	1	SFF-8472	Diagnostics
95	1	CCEX	Check code for the extended ID Fields (addresses 64 to 94)
Vendor Specific ID Fields			
96-127	32	Readable	Vendor specific date, read only
128-255	128	Reserved	Reserved for SFF-8079

● **Digital Diagnostic Monitor Characteristics(A2h)**

Data Address	Parameter	Accuracy	Unit
96-97	Transceiver Internal Temperature	±3.0	°C
98-99	VCC3 Internal Supply Voltage	±5.0	%
100-101	Laser Bias Current	±10	%
102-103	Tx Output Power	±3.0	dBm
104-105	Rx Input Power	±3.0	dBm

● **Regulatory Compliance**

The KW3602D complies with international Electromagnetic Compatibility (EMC) and international safety requirements and standards (see details in Table following).

Electrostatic Discharge (ESD) to the Electrical Pins	MIL-STD-883E Method 3015.7	Class 1(>1000 V)
Electrostatic Discharge (ESD) to the Duplex LC Receptacle	IEC 61000-4-2 GR-1089-CORE	Compatible with standards
Electromagnetic Interference (EMI)	FCC Part 15 Class B EN55022 Class B (CISPR 22B) VCCI Class B	Compatible with standards

SFP 2.5Gb/s Transceiver 2km (KW3602D)
Hot Pluggable, Duplex LC, +3.3V, 1310nm FP-LD,DDMI

● **Recommended Circuit:**

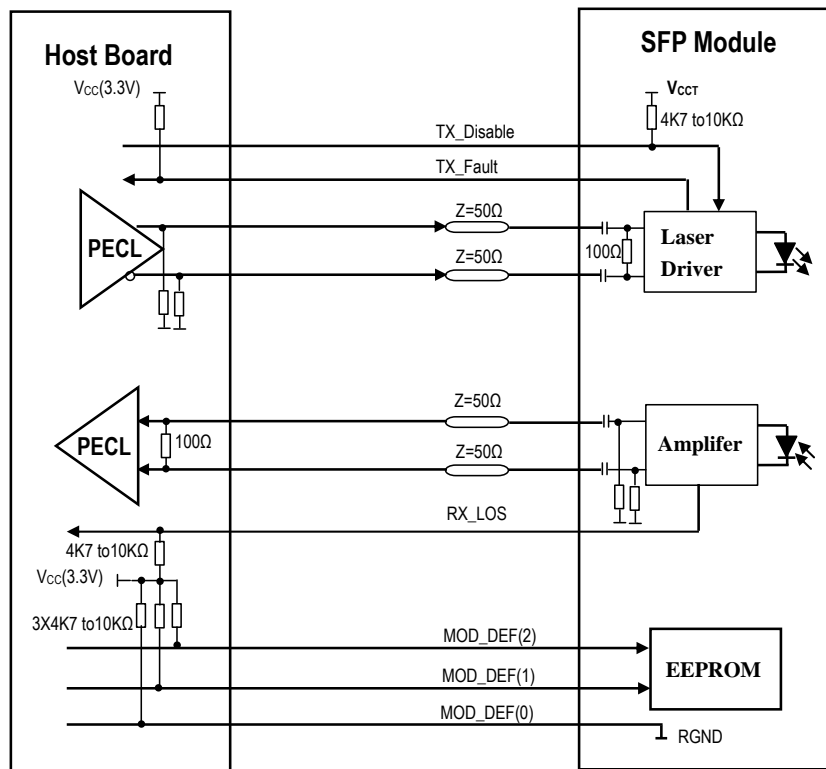


Figure 5. SFP Host Recommended Circuit

● **Mechanical Dimensions:**

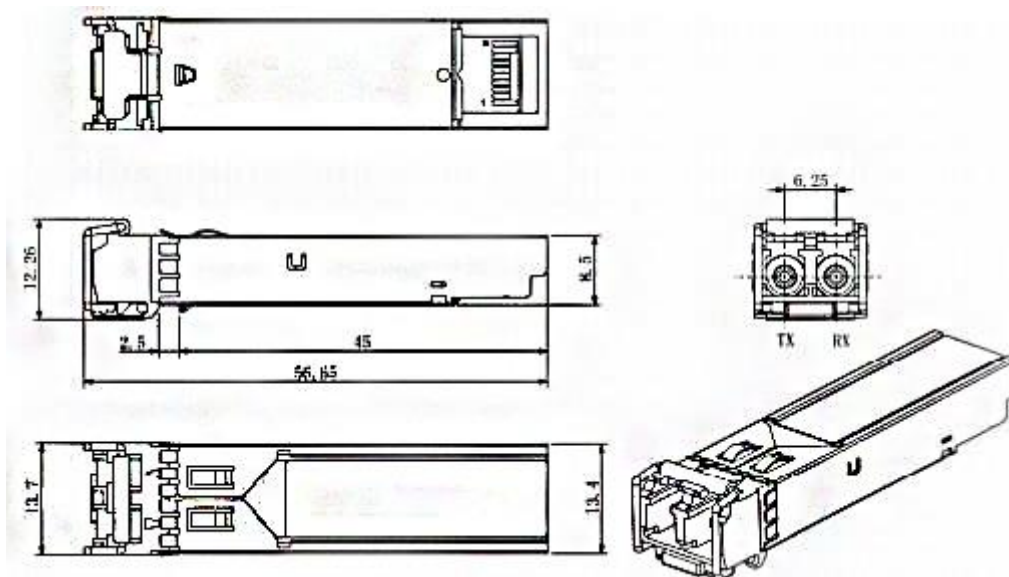


Figure 6. Mechanical Drawing

SFP 2.5Gb/s Transceiver 2km (KW3602D)
Hot Pluggable, Duplex LC, +3.3V, 1310nm FP-LD,DDMI

KEWEI reserves the right to make changes to the products or information contained herein without notice. No liability is assumed as a result of their use or application. No rights under any patent accompany the sale of any such products or information.

Published by Kunshan Kewei Fiber Communications Equipment Co., Ltd.

Copyright © KEWEI

All Rights Reserved